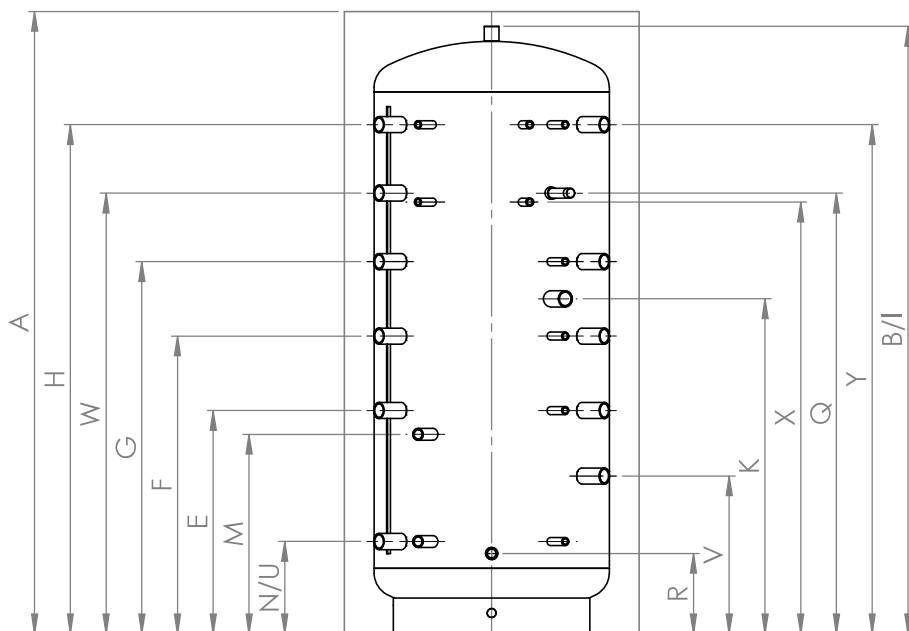


Frischwasserspeicher
Fresh water storage tank
Ballon d'eau fraîche

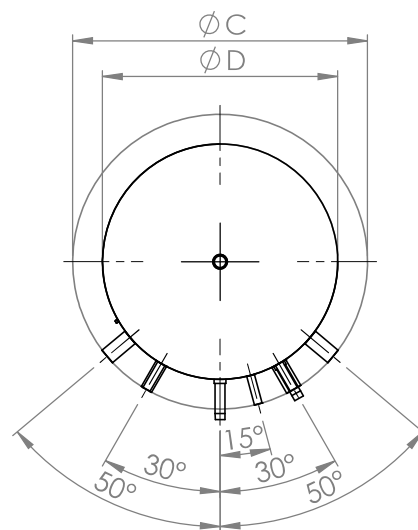
Accumulatori d'acqua dolce

JHS WP 800 – 1000 für Wärmepumpe | for heat pump | pour pompe à chaleur | per pompa di calore

800 – 1000



800 – 1000



800 – 1000



	Verwendung Usage Utilisation Uso	Dimension Dimension Dimension Dimensione	800	1000
A	Höhe	– mm	1760	2090
B	Height Hauteur Altezza	– mm	1710	2040
C	∅	– mm	990	990
D		– mm	790	790
E	Anschluss 1 Connection Raccord Collegamento	– mm	630	750
		G" – mm	1 ½"	1 ½"
		– G"	½"	½"
F	Anschluss 2 Connection Raccord Collegamento	– mm	790	1000
		G" – mm	1 ½"	1 ½"
		– G"	½"	½"
G	Anschluss 3 Connection Raccord Collegamento	– mm	1030	1250
		G" – mm	1 ½"	1 ½"
		– G"	½"	½"
H	Anschluss 4 Connection Raccord Collegamento	– mm	1430	1710
		G" – mm	1 ½"	1 ½"
		– G"	½"	½"
I	Anschluss oben Connection above Raccord du haut Collegamento superiore	– mm	1710	2040
		G" – mm	1 ¼"	1 ¼"
K	Elektroheizung zum Einschrauben* Screw-in Immersion heater* Résistances à visser* Resistenza elettrica da avvitare*	– mm	915	1125
		G" – mm	1 ½"	1 ½"
		– °	30°	30°
M	VL Glattröhrwärmetauscher unten Bottom heating coil Échangeurs de chaleur bas Serpentino inferiore	– mm	690	670
		G" – mm	1"	1"
		– °	30°	30°
N	RL Glattröhrwärmetauscher unten Bottom heating coil Échangeurs de chaleur bas Serpentino inferiore	– mm	330	310
		G" – mm	1"	1"
		– °	30°	30°
Q	Edelstahlwellrohr Warmwasser Hot water stainless steel corrugated pipe Tube ondulé en acier inoxydable eau chaude Scambiatore di calore con tubo ondulato in acciaio inossidabile	– mm	1450	1770
		G" – mm	1"	1"
		– °	30°	30°
R	Edelstahlwellrohr Kaltwasser Cold water stainless steel corrugated pipe Tube ondulé en acier inoxydable eau froide Tubo ondulato acqua fredda	– mm	260	270
		G" – mm	1"	1"
		– °	0°	0°
U	Anschluss 5 Connection above Raccord du haut Collegamento superiore	– mm	260	310
		G" – mm	1 ½"	1 ½"
		– G"	½"	½"
V	Anschluss 6 Connection above Raccord du haut Collegamento superiore	– mm	430	530
		G" – mm	1 ½"	1 ½"
W	Anschluss 7 Connection above Raccord du haut Collegamento superiore	– mm	1240	1480
		G" – mm	1 ½"	1 ½"
X	Blindmuffe Connecting element Manchon borgne Manicotto cieco	– mm	1170	1450
		G" – mm	½"	½"
		– °	30° / 15°	30° / 15°
Y	Blindmuffe Connecting element Manchon borgne Manicotto cieco	– mm	1430	1710
		G" – mm	½"	½"
		– °	30° / 15°	30° / 15°

*Einbaumöglichkeit: 1 x Elektroheizung zum Einschrauben
Installation option: 1 x Screw-in Immersion heater | Option d'installation: 1 x Résistances à visser | Opzione di installazione: 1 x Resistenza elettrica da avvitare