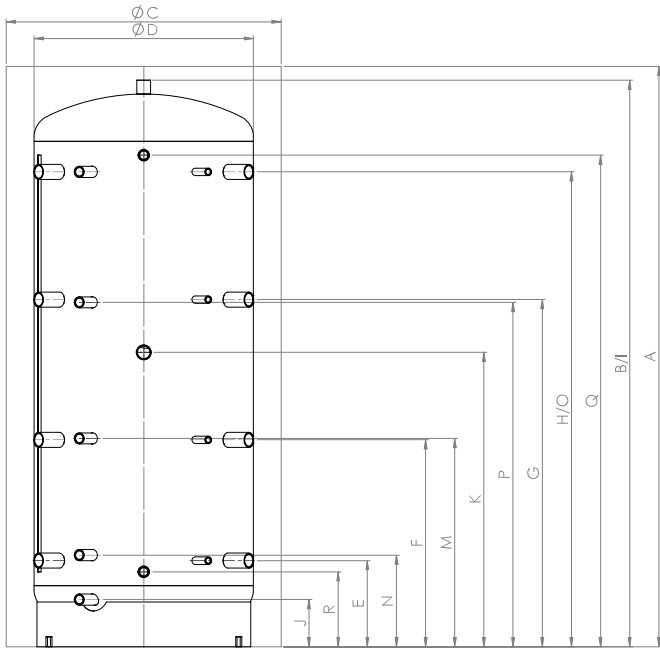
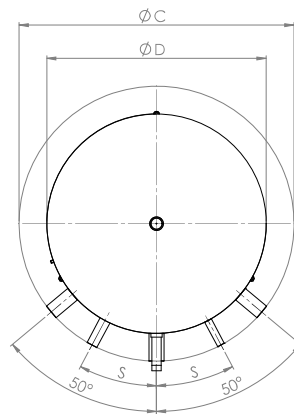


Frischwasserspeicher
Fresh water storage tank
Ballon d'eau fraiche
Accumulatori d'acqua dolce
JHSS 600 – 2000

600 – 2000



600 – 2000



600 – 2000



	Verwendung Usage Utilisation Uso	Dimension Dimension Dimension Dimensione	600	800	1000	1250	1500	2000
A	Höhe Height Hauteur Altezza	⊙ – mm	1700	1740	2090	2060	2220	2420
B		○ – mm	1650	1690	2040	2010	2170	2370
C	∅	⊙ – mm	900	990	990	1150	1200	1300
D		○ – mm	700	790	790	950	1000	1100
E	Anschluss 1 Connection Raccord Collegamento	↕ – mm	230	260	310	310	380	320
		G" – mm	1 ½"	1 ½"	1 ½"	1 ½"	1 ½"	1 ½"
		⊙ – G"	½"	½"	½"	½"	½"	½"
F	Anschluss 2 Connection Raccord Collegamento	↕ – mm	610	630	745	745	825	900
		G" – mm	1 ½"	1 ½"	1 ½"	1 ½"	1 ½"	1 ½"
		⊙ – G"	½"	½"	½"	½"	½"	½"
G	Anschluss 3 Connection Raccord Collegamento	↕ – mm	990	1030	1250	1250	1350	1490
		G" – mm	1 ½"	1 ½"	1 ½"	1 ½"	1 ½"	1 ½"
		⊙ – G"	½"	½"	½"	½"	½"	½"
H	Anschluss 4 Connection Raccord Collegamento	↕ – mm	1380	1430	1710	1710	1760	2020
		G" – mm	1 ½"	1 ½"	1 ½"	1 ½"	1 ½"	1 ½"
		⊙ – G"	½"	½"	½"	½"	½"	½"
I	Anschluss oben Connection above Raccord du haut Collegamento superiore	↕ – mm	1650	1690	2040	2010	2170	2370
		G" – mm	1 ¼"	1 ¼"	1 ¼"	1 ¼"	1 ¼"	1 ¼"
J	Anschluss unten Connection below Raccord du bas Collegamento inferiore	↕ – mm	145	170	170	190	235	220
		G" – mm	1"	1"	1"	1"	1"	1"
K	Elektroheizung zum Einschrauben* Screw-in Immersion heater* Résistances à visser* Resistenza elettrica da avvitare*	↕ – mm	850	915	1060	1060	1350	1315
		G" – mm	1 ½"	1 ½"	1 ½"	1 ½"	1 ½"	1 ½"
M	VL Glatrohrwärmetauscher unten Bottom heating coil Échangeurs de chaleur bas Serpentino inferiore	↕ – mm	790	690	750	760	780	1120
		G" – mm	1"	1"	1"	1"	1"	1"
N	RL Glatrohrwärmetauscher unten Bottom heating coil Échangeurs de chaleur bas Serpentino inferiore	↕ – mm	250	330	330	330	390	320
		G" – mm	1"	1"	1"	1"	1"	1"
O	VL Glatrohrwärmetauscher oben Top heating coil Échangeurs de chaleur haut Serpentino superiore	↕ – mm	1270	1400	1710	1630	1760	2020
		G" – mm	1"	1"	1"	1"	1"	1"
P	RL Glatrohrwärmetauscher oben Top heating coil Échangeurs de chaleur haut Serpentino superiore	↕ – mm	920	990	1240	1200	1410	1420
		G" – mm	1"	1"	1"	1"	1"	1"
Q	Edelstahlwellrohr Warmwasser Hot water stainless steel corrugated pipe Tube ondulé en acier inoxydable eau chaude Scambiatore di calore con tubo ondulato in acciaio inossidabile	↕ – mm	1380	1450	1770	1680	1835	1805
		G" – mm	1"	1"	1"	1"	1"	1"
R	Edelstahlwellrohr Kaltwasser Cold water stainless steel corrugated pipe Tube ondulé en acier inoxydable eau froide Tubo ondulato acqua fredda	↕ – mm	230	260	270	310	335	305
		G" – mm	1"	1"	1"	1"	1"	1"

*Einbaumöglichkeit: 1 x Elektroheizung zum Einschrauben
Installation option: 1 x Screw-in Immersion heater | Option d'installation: 1 x Résistances à visser | Opzione di installazione: 1 x Resistenza elettrica da avvitare