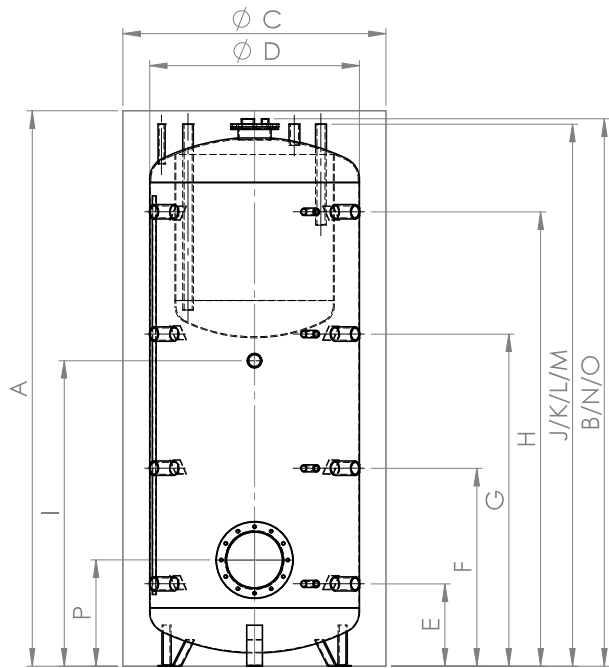


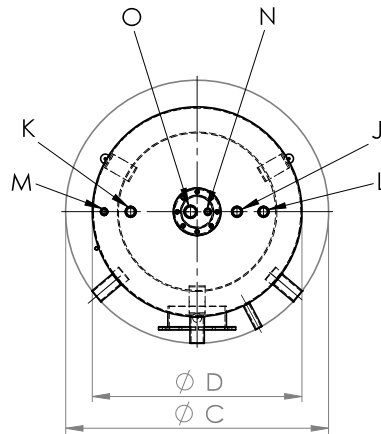
**Kombispeicher**  
**Combination storage tanks**  
**Ballon mixte**  
**Serbatoi di accumulo combinati**  
**PBNF/E 600 – 1500**

**Emailliert**  
Enamelled | Émaillés | Smaltato

600 – 1500



600 – 1500



600 – 1500



	Verwendung Usage Utilisation Uso	Dimension Dimension Dimension Dimensione	600/150	800/200	1000/200	1500/230
A	Höhe Height   Hauteur   Altezza	– mm	1700	1740	2090	2230
B		– mm	1670	1710	2060	2170
C	Ø	– mm	900	990	990	1260
D		– mm	700	790	790	1000
E	Anschluss 1 Connection   Raccord   Collegamento	– mm	230	260	310	380
		G"	1 ½"	1 ½"	1 ½"	1 ½"
		– G"	½"	½"	½"	½"
F	Anschluss 2 Connection   Raccord   Collegamento	– mm	610	630	745	825
		G"	1 ½"	1 ½"	1 ½"	1 ½"
		– G"	½"	½"	½"	½"
G	Anschluss 3 Connection   Raccord   Collegamento	– mm	990	1030	1250	1350
		G"	1 ½"	1 ½"	1 ½"	1 ½"
		– G"	½"	½"	½"	½"
H	Anschluss 4 Connection   Raccord   Collegamento	– mm	1380	1430	1710	1760
		G"	1 ½"	1 ½"	1 ½"	1 ½"
		– G"	½"	½"	½"	½"
I	Anschluss Mitte / ESH Connection middle / SIH   Raccord milieu   Collegamento centrale	– mm	850	800	1150	1250
		G"	1 ½"	1 ½"	1 ½"	1 ½"
J	Warmwasser Hot water   Eau chaude   Acqua calda	– mm	1650	1690	2040	2150
		G"	1"	1"	1"	1"
K	Kaltwasser Cold water   Eau froide   Acqua fredda	– mm	1650	1690	2040	2150
		G"	1"	1"	1"	1"
L	Zirkulation Circulation   Circulation   Circolazione	– mm	1650	1690	2040	2150
		G"	1"	1"	1"	1"
M	Entlüftung Vent   Purge   Sfiato	– mm	1650	1690	2040	2150
		G"	½"	½"	½"	½"
N	Fühler Brauchwasser Service water sensor   Sonde eau industrielle   Sensore acqua per uso domestico	– mm	1670	1710	2060	2170
		G"	½"	½"	½"	½"
O	Magnesiumanode Magnesium anode   Anode de magnésium   Anodo in magnesio	– mm	1670	1710	2060	2170
		G"	1 ¼"	1 ¼"	1 ¼"	1 ¼"
P	Flansch Flange   Bride   Flangia	– mm	370	400	400	450
		Ø – mm	290/220	290/220	290/220	290/220