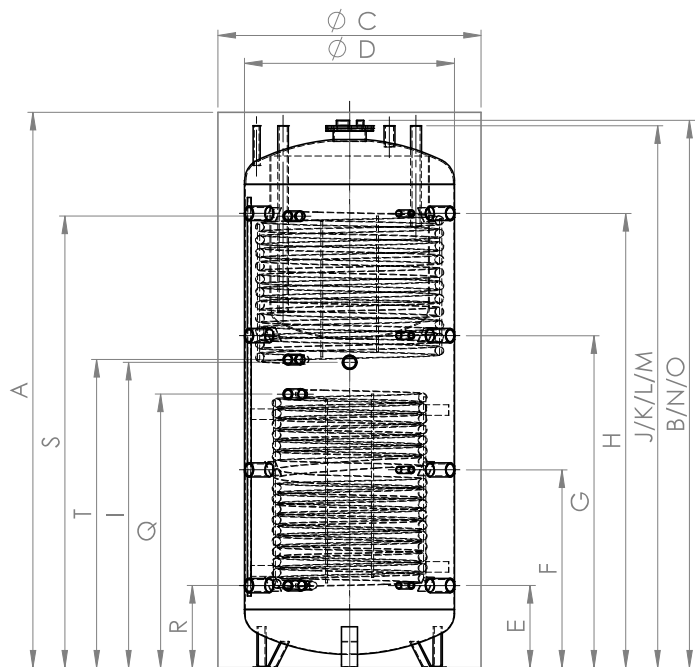


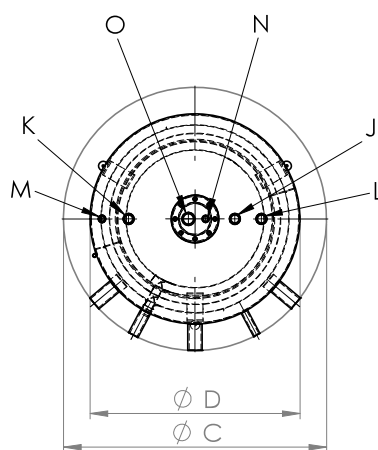
Kombispeicher
Combination storage tanks
Ballon mixte
Serbatoi di accumulo combinati
PBNRR/E 600 – 1500

Emailliert
Enamelled | Émaillés | Smaltato

600 – 1500



600 – 1500



600 – 1500



	Verwendung Usage Utilisation Uso	Dimension Dimension Dimension Dimensione	600/150	800/200	1000/200	1500/230
A	Höhe Height Hauteur Altezza	– mm	1700	1740	2090	2230
B		– mm	1670	1710	2060	2170
C	Ø	– mm	900	990	990	1260
D		– mm	700	790	790	1000
E	Anschluss 1 Connection Raccord Collegamento	– mm	230	260	310	380
		G"	1 ½"	1 ½"	1 ½"	1 ½"
		– G"	½"	½"	½"	½"
F	Anschluss 2 Connection Raccord Collegamento	– mm	610	630	745	825
		G"	1 ½"	1 ½"	1 ½"	1 ½"
		– G"	½"	½"	½"	½"
G	Anschluss 3 Connection Raccord Collegamento	– mm	990	1030	1250	1350
		G"	1 ½"	1 ½"	1 ½"	1 ½"
		– G"	½"	½"	½"	½"
H	Anschluss 4 Connection Raccord Collegamento	– mm	1380	1430	1710	1760
		G"	1 ½"	1 ½"	1 ½"	1 ½"
		– G"	½"	½"	½"	½"
I	Anschluss Mitte / ESH Connection middle SIH Raccord milieu Collegamento centrale	– mm	850	800	1150	1250
		G"	1 ½"	1 ½"	1 ½"	1 ½"
J	Warmwasser Hot water Eau chaude Acqua calda	– mm	1650	1690	2040	2150
		G"	1"	1"	1"	1"
K	Kaltwasser Cold water Eau froide Acqua fredda	– mm	1650	1690	2040	2150
		G"	1"	1"	1"	1"
L	Zirkulation Circulation Circulation Circolazione	– mm	1650	1690	2040	2150
		G"	1"	1"	1"	1"
M	Entlüftung Vent Purge Sfiato	– mm	1650	1690	2040	2150
		G"	½"	½"	½"	½"
N	Fühler Brauchwasser Service water sensor Sonde eau industrielle Sensore acqua per uso domestico	– mm	1670	1710	2060	2170
		G"	½"	½"	½"	½"
O	Magnesiumanode Magnesium anode Anode de magnésium Anodo in magnesio	– mm	1670	1710	2060	2170
		G"	1 ¼"	1 ¼"	1 ¼"	1 ¼"
P	Flansch Flange Bride Flangia	– mm	370	400	400	450
		Ø – mm	290/220	290/220	290/220	290/220
Q	VL Glattrohrwärmetauscher unten Bottom heating coil Échangeurs de chaleur bas Serpentino inferiore	– mm	790	730	1030	1180
		G"	1"	1"	1"	1"
R	RL Glattrohrwärmetauscher unten Bottom heating coil Échangeurs de chaleur bas Serpentino inferiore	– mm	250	260	310	380
		G"	1"	1"	1"	1"
S	VL Glattrohrwärmetauscher oben Top heating coil Échangeurs de chaleur haut Serpentino superiore	– mm	1275	1430	1700	1760
		G"	1"	1"	1"	1"
T	RL Glattrohrwärmetauscher oben Top heating coil Échangeurs de chaleur haut Serpentino superiore	– mm	920	1070	1160	1350
		G"	1"	1"	1"	1"

