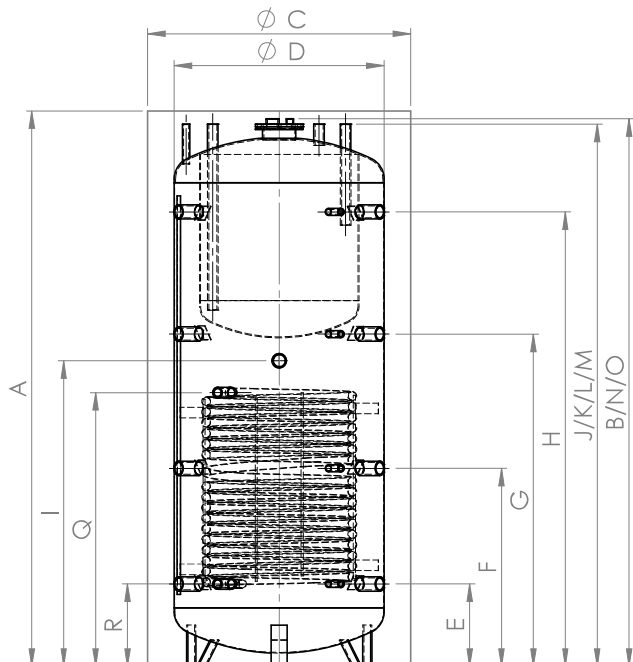


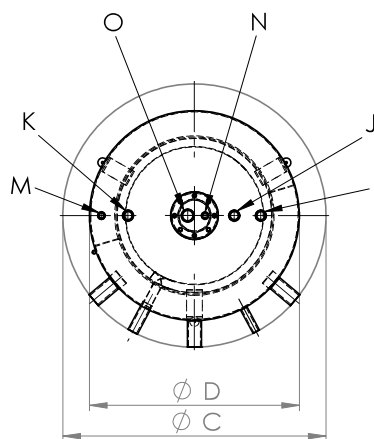
Kombispeicher
Combination storage tanks
Ballon mixte
Serbatoi di accumulo combinati
PBNR/E 600 – 1500

Emailliert
Enamelled | Émaillés | Smaltato

600 – 1500



600 – 1500



600 – 1500



	Verwendung Usage Utilisation Uso	Dimension Dimension Dimension Dimensione	600/150	800/200	1000/200	1500/230
A	Höhe Height Hauteur Altezza	○ – mm	1700	1740	2090	2230
B		○ – mm	1670	1710	2060	2170
C	∅	● – mm	900	990	990	1260
D		○ – mm	700	790	790	1000
E	Anschluss 1 Connection Raccord Collegamento	↕ – mm	230	260	310	380
		G" – mm	1 ½"	1 ½"	1 ½"	1 ½"
		⊕ – G"	½"	½"	½"	½"
F	Anschluss 2 Connection Raccord Collegamento	↕ – mm	610	630	745	825
		G" – mm	1 ½"	1 ½"	1 ½"	1 ½"
		⊕ – G"	½"	½"	½"	½"
G	Anschluss 3 Connection Raccord Collegamento	↕ – mm	990	1030	1250	1350
		G" – mm	1 ½"	1 ½"	1 ½"	1 ½"
		⊕ – G"	½"	½"	½"	½"
H	Anschluss 4 Connection Raccord Collegamento	↕ – mm	1380	1430	1710	1760
		G" – mm	1 ½"	1 ½"	1 ½"	1 ½"
		⊕ – G"	½"	½"	½"	½"
I	Anschluss Mitte / ESH Connection middle SIH Raccord milieu Collegamento centrale	↕ – mm	850	800	1150	1250
		G" – mm	1 ½"	1 ½"	1 ½"	1 ½"
J	Warmwasser Hot water Eau chaude Acqua calda	↕ – mm	1650	1690	2040	2150
		G" – mm	1"	1"	1"	1"
K	Kaltwasser Cold water Eau froide Acqua fredda	↕ – mm	1650	1690	2040	2150
		G" – mm	1"	1"	1"	1"
L	Zirkulation Circulation Circulation Circolazione	↕ – mm	1650	1690	2040	2150
		G" – mm	1"	1"	1"	1"
M	Entlüftung Vent Purge Sfiato	↕ – mm	1650	1690	2040	2150
		G" – mm	½"	½"	½"	½"
N	Fühler Brauchwasser Service water sensor Sonde eau industrielle Sensore acqua per uso domestico	↕ – mm	1670	1710	2060	2170
		G" – mm	½"	½"	½"	½"
O	Magnesiumanode Magnesium anode Anode de magnésium Anodo in magnesio	↕ – mm	1670	1710	2060	2170
		G" – mm	1 ¼"	1 ¼"	1 ¼"	1 ¼"
P	Flansch Flange Bride Flangia	↕ – mm	370	400	400	450
		∅ – mm	290/220	290/220	290/220	290/220
Q	VL Glatrohrwärmetauscher Heating coil Échangeurs de chaleur Serpentino	↕ – mm	790	730	1030	1180
		G" – mm	1"	1"	1"	1"
R	RL Glatrohrwärmetauscher Heating coil Échangeurs de chaleur Serpentino	↕ – mm	250	260	310	380
		G" – mm	1"	1"	1"	1"