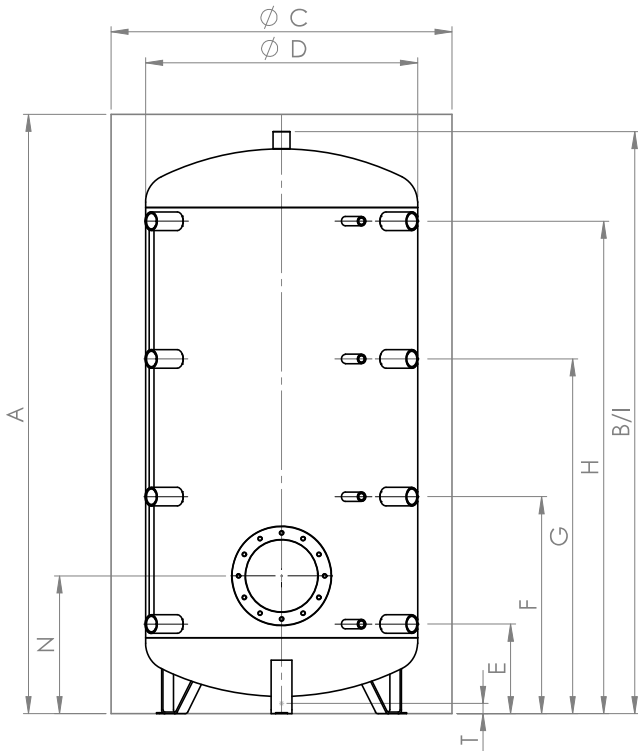
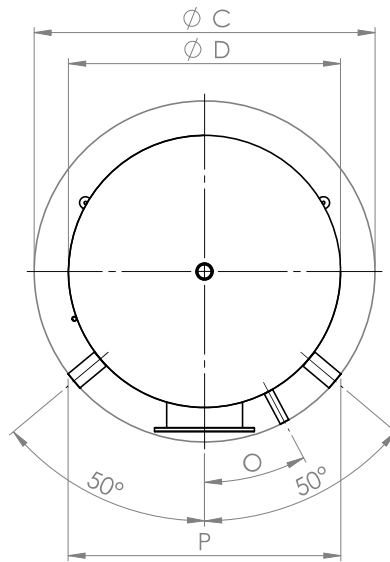


**Pufferspeicher**  
**Buffer storage tanks**  
**Ballon tampon**  
**Accumulatori tampone**  
**PSF 300 – 5000**







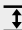




**300 – 5000**



**300 – 5000**



**300 – 5000**

	Verwendung Usage Utilisation Uso	Dimension Dimension Dimensione	300	500	600	800	1000	1050	1250	1500	1600	1950	2000	2500	3000	4000	5000
	Inhalt Capacity   Contenance   Contenuto	l	279	480	560	718	887	996	1266	1500	1555	2005	2021	2304	2852	3759	5003
	Kippmass Tilted dimension   Cote de basculement   Altezza in raddrizzamento	mm	1385	1665	1690	1740	2085	2020	2070	2195	1930	2060	2420	2395	2780	2935	3035
P	Einbringmass Delivery dimensions   Cote de mise en place   Ingombro	100 mm	610	690	740	800	800	850	950	1000	1100	1250	1100	1250	1250	1400	1600
		130 mm	660	740	780	840	840	890	970	1010	1100	1250	1100	1250	1250	1400	1600
		160 mm	710	780	820	890	890	930	1100	1050	1130	1250	1130	1250	1250	1400	1600
B	Höhe ohne Isolierung Height without insulation   Hauteur sans isolation   Altezza senza isolamento	mm	1350	1630	1650	1690	2040	2000	2010	2150	1950	2060	2370	2280	2720	2835	2870
D	Ø ohne Isolierung without insulation   sans isolation   senza isolamento	mm	550	650	700	790	790	850	950	1000	1100	1250	1100	1250	1250	1400	1600
E*	Anschluss 1 Connection   Raccord   Collegamento	 - mm	220	220	230	260	310	310	310	380	320	495	320	535	380	505	400
		G"	1 1/2"	1 1/2"	1 1/2"	1 1/2"	1 1/2"	1 1/2"	1 1/2"	1 1/2"	1 1/2"	2"	1 1/2"	2"	2"	2"	2"
		 - G"	1/2"	1/2"	1/2"	1/2"	1/2"	1/2"	1/2"	1/2"	1/2"	1/2"	1/2"	1/2"	1/2"	1/2"	1/2"
F*	Anschluss 2 Connection   Raccord   Collegamento	 - mm	470	620	610	630	745	745	745	825	740	875	900	975	1020	1110	1100
		G"	1 1/2"	1 1/2"	1 1/2"	1 1/2"	1 1/2"	1 1/2"	1 1/2"	1 1/2"	1 1/2"	2"	1 1/2"	2"	2"	2"	2"
		 - G"	1/2"	1/2"	1/2"	1/2"	1/2"	1/2"	1/2"	1/2"	1/2"	1/2"	1/2"	1/2"	1/2"	1/2"	1/2"
G*	Anschluss 3 Connection   Raccord   Collegamento	 - mm	800	1010	990	1030	1250	1250	1250	1350	1150	1255	1490	1415	1680	1860	1810
		G"	1 1/2"	1 1/2"	1 1/2"	1 1/2"	1 1/2"	1 1/2"	1 1/2"	1 1/2"	1 1/2"	2"	1 1/2"	2"	2"	2"	2"
		 - G"	1/2"	1/2"	1/2"	1/2"	1/2"	1/2"	1/2"	1/2"	1/2"	1/2"	1/2"	1/2"	1/2"	1/2"	1/2"
H*	Anschluss 4 Connection   Raccord   Collegamento	 - mm	1120	1390	1380	1430	1710	1710	1710	1760	1570	1635	2020	1855	2330	2410	2520
		G"	1 1/2"	1 1/2"	1 1/2"	1 1/2"	1 1/2"	1 1/2"	1 1/2"	1 1/2"	1 1/2"	2"	1 1/2"	2"	2"	2"	2"
		 - G"	1/2"	1/2"	1/2"	1/2"	1/2"	1/2"	1/2"	1/2"	1/2"	1/2"	1/2"	1/2"	1/2"	1/2"	1/2"
I	Anschluss oben Connection above   Raccord du haut   Collegamento superiore	 - mm	1350	1630	1650	1690	2040	2050	2010	2150	1900	2010	2370	2280	2720	2835	2870
		G"	1 1/4"	1 1/4"	1 1/4"	1 1/4"	1 1/4"	1 1/4"	1 1/4"	1 1/4"	1 1/4"	1 1/4"	1 1/4"	1 1/4"	1 1/4"	1 1/4"	1 1/4"
N	Flansch Flange   Bride   Flangia	 - mm	300	340	330	390	390	400	375	415	425	685	425	755	600	585	640
		Ø - mm	180/120										290/220				
T	Bodenmuffe Ground fitting   Manchon de fond   Manicotto a pavimento	 - mm	-	-	-	-	-	-	-	-	-	110	-	110	100	75	50
		G"	-	-	-	-	-	-	-	-	-	-	1 1/4"	-	1 1/4"	1 1/4"	1 1/4"
O	Anordnung Fühler Positioning sensor   Disposition sonde   Disposizione sensore	°	18,5	23,5	28,0	28,0	28,0	29,8	32,0	33,0	34,5	36,0	34,5	36,0	36,0	37,5	39,0
	Gewicht Weight   Poids   Peso	kg	55	74	80	92	106	112	155	165	170	223	198	236	282	361	428
	Art.Nr. 100 mm Part no.   Réf.   Art.n.	200104...	0301	0501	0601	0801	1001	1051	1251	1501	1601	1951	2001	2501	3001	4001	5001
	Art.Nr. 130 mm Part no.   Réf.   Art.n.	200104...	0302	0502	0602	0802	1002	1052	1252	1502	1602	1952	2002	2502	3002	4002	5002
	Art.Nr. 160 mm Part no.   Réf.   Art.n.	200104...	0303	0503	0603	0803	1003	1053	1253	1503	1603	1953	2003	2503	3003	4003	5003
	Elektroheizung zum Einschrauben* Screw-in Immersion heater*   Résistances à visser*   Resistenza elettrica da avvitare*	bis kW to   à   a	4,5	6,0	7,5	9,0	9,0	9,0	9,0	9,0	9,0	9,0	9,0	9,0	9,0	9,0	9,0

\*Einbaumöglichkeit: 1 x Elektroheizung zum Einschrauben  
Installation option: 1 x Screw-in Immersion heater | Option d'installation: 1 x Résistances à visser | Opzione di installazione: 1 x Resistenza elettrica da avvitare