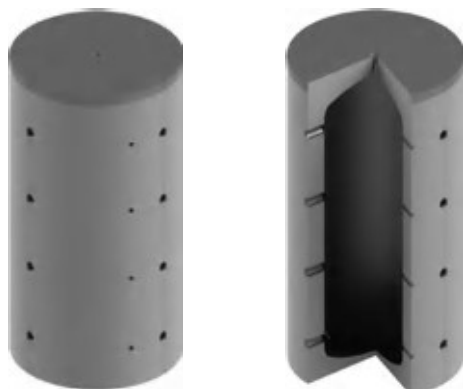


Pufferspeicher
Buffer storage tanks
Ballon tampon
Accumulatori tampone
PSM 300 – 5000

EnEV 730.02
ErP 812/2013
ErP 814/2013
SIA 384/1
CE



Bauart
Design | Structure | Struttura

Die Speicher werden aus hochwertigem Stahl nach EN 10025:2019 gefertigt.

EN The storage tanks are made from high quality steel in accordance with EN 10025:2019.

FR Les ballons sont fabriqués en acier de grande qualité, selon la norme EN 10025:2019.

IT Gli accumulatori sono realizzati in acciaio pregiato secondo la norma EN 10025:2019.

| | |
|--|-----------------|
| Betriebsdruck / Prüfdruck Operating pressure / test pressure Pression de service / Pression test Pressione d'esercizio / Pressione di collaudo | 3 bar / 4.5 bar |
| Einsatzgebiet Application Application Applicazione | 18°C – 95°C |

Schutz vor Korrosion
Anti-corrosion protection | Protection contre la corrosion | Protezione anticorrosiva

Innen sind die Speicher unbehandelt. Aussen sind die Speicher grundiert.

EN The storage tanks are untreated on the interior. Tanks are primed on the outside.

FR À l'intérieur, les réservoirs ne sont pas traités. A l'extérieur, les réservoirs sont apprêtés.

IT L'interno degli accumulatori non è trattato. Gli accumulatori sono primerizzati all'esterno.



Isolierung

Insulation | Isolation | Isolamento

TopShell

Isolierung aus Hightech Faservlies. Skaimantel mit Reißverschluss, inklusive Rosetten und Abdeckhaube. Brandschutzklasse B2. Silber. Lose geliefert.

Variante

Isolierung aus Hightech Faservlies. PS-Mantel und Hakenleiste, inklusive Rosetten und Abdeckhaube. Brandschutzklasse B2. Farbe Silber.

EN TopShell

Insulation made of high-tech fibre fleece. Skai jacket with zip, including cover plates and hood. Fire-resistance rating B2. Silver. Supplied loose.

Alternative

Insulation made of high-tech fibre fleece. PS jacket and hook rack, including cover plates and hood. Fire-resistance rating B2. Silver.

FR TopShell

Isolation en tissu fibreux high-tech Enveloppe en skai avec fermeture à glissière, y compris rosettes et capot. Classe allemande de protection incendie B2. Argent. Livrée non montée.

Alternative

Isolation en tissu fibreux high-tech Enveloppe en PS équipée d'un support à crochets préinstallé, y compris rosettes et capot. Classe allemande de protection incendie B2. Couleur argent.

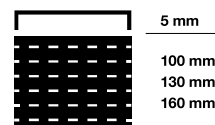
IT TopShell

Isolamento in tessuto non tessuto high-tech. Mantello in skai pre-assemblato con cerniera, dotato di rosette e calotta di copertura. Classe di resistenza antincendio B2. Argento. Consegna sfusa.

Alternativa

Isolamento in tessuto non tessuto high-tech. Mantello in PS e barra con ganci, rosette e calotta di copertura incluse. Classe di resistenza antincendio B2. Colore argento.

TopShell
B2; $\lambda = 0,038 \text{ W/(mK)}$



Pufferspeicher
Buffer storage tanks
Ballon tampon
Accumulatori tampone
PSM 300 – 5000

| Verwendung Usage Utilisation Uso | | 300 | 500 | 600 | 800 | 900 | 1000 | 1050 | 1250 | 1500 | 1600 | 1800 | 1950 | 2000 | 2500 | 3000 | 4000 | 5000 | |
|--|--|--|---------|-------|-------|-------|-------|-------|-------|-------|-------|-------|-------|-------|-------|-------|-------|-------|-------|
| TopShell 100 | Wärmeverlust Heat losses Pertesthermiques Perdita di calore | kWh/24h | 2.06 | 2.61 | 2.89 | 3.12 | 3.38 | 3.38 | 3.49 | 3.82 | - | - | - | - | - | - | - | - | - |
| | | W | 86 | 109 | 121 | 130 | 141 | 141 | 146 | 160 | - | - | - | - | - | - | - | - | - |
| | ErP-Label ErP class Classe ErP Classe ErP | | C | C | C | C | C | C | C | C | - | - | - | - | - | - | - | - | - |
| | CH SIA 384/1 Ta ≤ 90°C | | X | X | • | • | • | • | • | • | X | X | X | X | X | X | X | X | X |
| | CH SIA 384/1 Ta ≤ 50°C | | X | X | • | • | • | • | • | • | X | X | X | X | X | X | X | X | X |
| | EU Nr. 814/2013 (EU) | | • | • | • | • | • | • | • | • | X | X | X | • | • | • | • | • | • |
| | A \downarrow [mm] | | 1400 | 1680 | 1700 | 1740 | 1820 | 2090 | 2050 | 2060 | 2200 | 1950 | 2205 | 2060 | 2420 | 2330 | 2770 | 2885 | 2920 |
| | C Ø [mm] | | 750 | 850 | 900 | 990 | 1050 | 990 | 1050 | 1150 | 1200 | 1300 | 1300 | 1450 | 1300 | 1450 | 1450 | 1600 | 1800 |
| | Art. Nr. 300106... Part no. Réf. Art.n. | | 0301 | 0501 | 0601 | 0801 | 0901 | 1001 | 1051 | 1251 | 1501* | 1601* | 1801 | 1951 | 2001 | 2501 | 3001 | 4001 | 5001 |
| | TopShell 130 | Wärmeverlust Heat losses Pertesthermiques Perdita di calore | kWh/24h | - | - | - | - | - | - | - | 4.00 | 4.08 | 4.35 | - | - | - | - | - | - |
| | | W | | | | | | | | 167 | 170 | 182 | | | | | | | |
| ErP-Label ErP class Classe ErP Classe ErP | | | - | - | - | - | - | - | - | C | C | C | - | - | - | - | - | - | |
| CH SIA 384/1 Ta ≤ 90°C | | | X | X | • | • | • | • | • | • | • | • | X | X | X | X | X | X | |
| CH SIA 384/1 Ta ≤ 50°C | | | X | X | • | • | • | • | • | • | • | • | X | X | X | X | X | X | |
| EU Nr. 814/2013 (EU) | | | • | • | • | • | • | • | • | • | • | • | • | • | • | • | • | • | |
| A \downarrow [mm] | | | 1430 | 1710 | 1730 | 1770 | 1850 | 2120 | 2080 | 2090 | 2230 | 1980 | 2235 | 2090 | 2450 | 2360 | 2800 | 2915 | 2950 |
| C Ø [mm] | | | 810 | 910 | 960 | 1050 | 1110 | 1050 | 1110 | 1210 | 1260 | 1360 | 1360 | 1510 | 1360 | 1510 | 1510 | 1660 | 1860 |
| Art. Nr. 300106... Part no. Réf. Art.n. | | | 0302* | 0502* | 0602* | 0802* | 0902* | 1002* | 1052* | 1252* | 1502 | 1602 | 1802* | 1952* | 2002* | 2502* | 3002* | 4002* | 5002* |
| TopShell 160 | | Wärmeverlust Heat losses Pertesthermiques Perdita di calore | kWh/24h | - | - | - | - | - | - | - | - | - | - | - | - | - | - | - | - |
| | | W | - | - | - | - | - | - | - | - | - | - | - | - | - | - | - | - | |
| | ErP-Label ErP class Classe ErP Classe ErP | | - | - | - | - | - | - | - | - | - | - | - | - | - | - | - | - | |
| | CH SIA 384/1 Ta ≤ 90°C | | X | X | • | • | • | • | • | • | • | • | X | X | X | X | X | X | |
| | CH SIA 384/1 Ta ≤ 50°C | | X | X | • | • | • | • | • | • | • | • | • | • | • | • | • | • | |
| | EU Nr. 814/2013 (EU) | | • | • | • | • | • | • | • | • | • | • | • | • | • | • | • | • | |
| | A \downarrow [mm] | | 1460 | 1740 | 1760 | 1800 | 1880 | 2150 | 2110 | 2120 | 2260 | 2010 | 2265 | 2120 | 2480 | 2390 | 2830 | 2945 | 2980 |
| | C Ø [mm] | | 870 | 970 | 1020 | 1110 | 1170 | 1110 | 1170 | 1270 | 1320 | 1420 | 1420 | 1570 | 1420 | 1570 | 1570 | 1720 | 1920 |
| | Art. Nr. 300106... Part no. Réf. Art.n. | | 0303* | 0503* | 0603* | 0803* | 0903* | 1003* | 1053* | 1253* | 1503* | 1603* | 1803* | 1953 | 2003 | 2503 | 3003 | 4003 | 5003 |

* Keine Lagerware.
 Not in stock. | Marchandise non stockée. | Merce non a magazzino.

Ta = Auslegungstemperatur
 Ta = dimensioning temperature | Ta = température de conception |
 Ta = temperatura di progetto

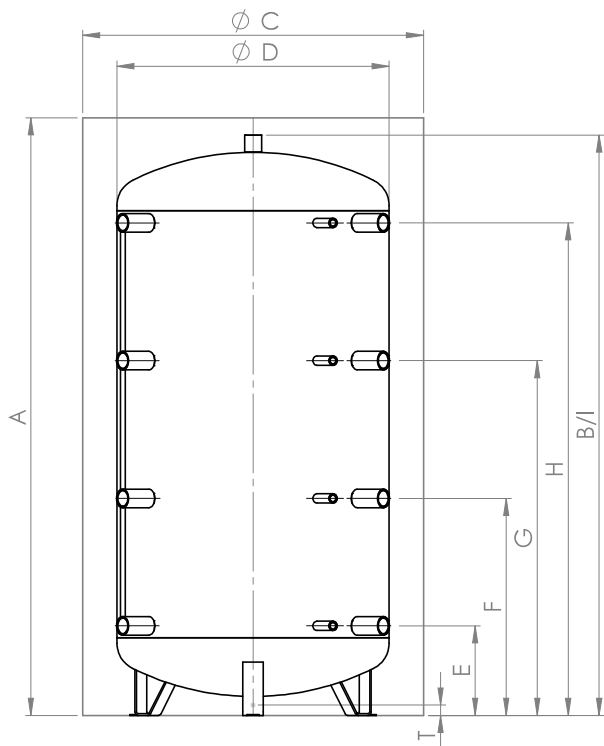
Nicht zugelassen | None approved | Non agréée | Non omologato

Zugelassen (Empfohlene Isolierung)
 Approved (Recommended insulation) | Agréée (Isolation recommandée) | Omologato (Isolamento consigliato)

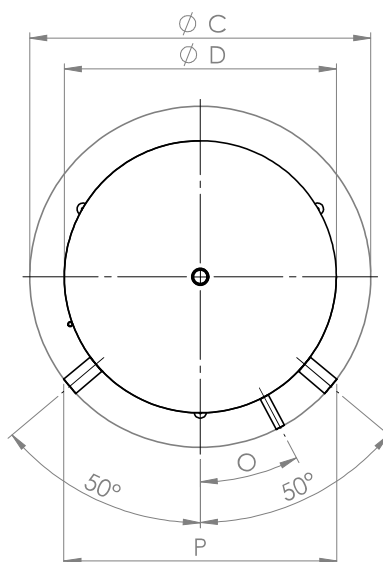
Zugelassen (oberhalb Mindestanforderung)
 Approved (Exceeds minimum requirements) | Agréée (Supérieure aux exigences minimales requises) | Omologato (Requisito minimo superiore)

Pufferspeicher
Buffer storage tanks
Ballon tampon
Accumulatori tampone
PSM 300 – 5000











300 – 5000



300 – 5000



300 – 5000

| | Verwendung Usage Utilisation Uso | Dimension Dimension Dimensione | 300 | 500 | 600 | 800 | 900 | 1000 | 1050 | 1250 | 1500 | 1600 | 1800 | 1950 | 2000 | 2500 | 3000 | 4000 | 5000 | |
|--|--|--|--------|--------|--------|--------|--------|--------|--------|--------|--------|--------|------|--------|--------|--------|--------|--------|--------|--------|
| | | | | | | | | | | | | | | | | | | | | |
| | Inhalt Capacity Contenance Contenuto | l | 279 | 480 | 560 | 718 | 870 | 887 | 996 | 1266 | 1500 | 1555 | 1830 | 2005 | 2021 | 2304 | 2852 | 3759 | 5003 | |
| | Kippmass Tilted dimension Cote de basculement Altezza in raddrizzamento | mm | 1380 | 1660 | 1680 | 1720 | 1800 | 2070 | 2020 | 2030 | 2180 | 1940 | 2190 | 2050 | 2390 | 2310 | 2740 | 2880 | 2920 | |
| P | Einbringmass Delivery dimensions Cote de mise en place Ingombro | 100 mm | 610 | 690 | 730 | 800 | 840 | 800 | 840 | 950 | 1000 | 1100 | 1100 | 1250 | 1100 | 1250 | 1250 | 1400 | 1600 | |
| | | 130 mm | 660 | 740 | 780 | 840 | 890 | 840 | 890 | 970 | 1010 | 1100 | 1100 | 1250 | 1100 | 1250 | 1250 | 1400 | 1600 | |
| | | 160 mm | 710 | 780 | 820 | 890 | 940 | 890 | 940 | 1010 | 1060 | 1130 | 1130 | 1250 | 1130 | 1250 | 1250 | 1400 | 1600 | |
| B | Höhe ohne Isolierung Height without insulation Hauteur sans isolation Altezza senza isolamento | mm | 1350 | 1620 | 1650 | 1685 | 1770 | 2040 | 1990 | 1998 | 2148 | 1902 | 2152 | 2007 | 2352 | 2267 | 2704 | 2835 | 2870 | |
| D | Ø ohne Isolierung without insulation sans isolation senza isolamento | mm | 550 | 650 | 700 | 790 | 850 | 790 | 850 | 950 | 1000 | 1100 | 1100 | 1250 | 1100 | 1250 | 1250 | 1400 | 1600 | |
| E* | Anschluss 1 Connection Raccord Collegamento |  - mm | 220 | 220 | 230 | 260 | 310 | 310 | 310 | 310 | 380 | 320 | 320 | 495 | 320 | 535 | 380 | 505 | 400 | |
| | | G" | 1 1/2" | 1 1/2" | 1 1/2" | 1 1/2" | 1 1/2" | 1 1/2" | 1 1/2" | 1 1/2" | 2" | 2" | 2" | 2" | 2" | 2" | 2" | 2" | 2" | 2" |
| | |  - G" | 1/2" | 1/2" | 1/2" | 1/2" | 1/2" | 1/2" | 1/2" | 1/2" | 1/2" | 1/2" | 1/2" | 1/2" | 1/2" | 1/2" | 1/2" | 1/2" | 1/2" | 1/2" |
| F* | Anschluss 2 Connection Raccord Collegamento |  - mm | 470 | 620 | 610 | 630 | 700 | 745 | 745 | 745 | 825 | 740 | 820 | 875 | 900 | 975 | 1020 | 1110 | 1100 | |
| | | G" | 1 1/2" | 1 1/2" | 1 1/2" | 1 1/2" | 1 1/2" | 1 1/2" | 1 1/2" | 1 1/2" | 2" | 2" | 2" | 2" | 2" | 2" | 2" | 2" | 2" | 2" |
| | |  - G" | 1/2" | 1/2" | 1/2" | 1/2" | 1/2" | 1/2" | 1/2" | 1/2" | 1/2" | 1/2" | 1/2" | 1/2" | 1/2" | 1/2" | 1/2" | 1/2" | 1/2" | 1/2" |
| G* | Anschluss 3 Connection Raccord Collegamento |  - mm | 800 | 1010 | 990 | 1030 | 1080 | 1250 | 1250 | 1250 | 1350 | 1150 | 1320 | 1255 | 1490 | 1415 | 1680 | 1860 | 1810 | |
| | | G" | 1 1/2" | 1 1/2" | 1 1/2" | 1 1/2" | 1 1/2" | 1 1/2" | 1 1/2" | 1 1/2" | 2" | 2" | 2" | 2" | 2" | 2" | 2" | 2" | 2" | 2" |
| | |  - G" | 1/2" | 1/2" | 1/2" | 1/2" | 1/2" | 1/2" | 1/2" | 1/2" | 1/2" | 1/2" | 1/2" | 1/2" | 1/2" | 1/2" | 1/2" | 1/2" | 1/2" | 1/2" |
| H* | Anschluss 4 Connection Raccord Collegamento |  - mm | 1120 | 1385 | 1380 | 1430 | 1470 | 1710 | 1710 | 1710 | 1760 | 1570 | 1820 | 1635 | 2020 | 1855 | 2330 | 2410 | 2520 | |
| | | G" | 1 1/2" | 1 1/2" | 1 1/2" | 1 1/2" | 1 1/2" | 1 1/2" | 1 1/2" | 1 1/2" | 2" | 2" | 2" | 2" | 2" | 2" | 2" | 2" | 2" | 2" |
| | |  - G" | 1/2" | 1/2" | 1/2" | 1/2" | 1/2" | 1/2" | 1/2" | 1/2" | 1/2" | 1/2" | 1/2" | 1/2" | 1/2" | 1/2" | 1/2" | 1/2" | 1/2" | 1/2" |
| I | Anschluss oben Connection above Raccord du haut Collegamento superiore |  - mm | 1350 | 1620 | 1650 | 1685 | 1770 | 2040 | 1990 | 1998 | 2148 | 1902 | 2152 | 2007 | 2352 | 2267 | 2704 | 2835 | 2870 | |
| | | G" | 1 1/4" | 1 1/4" | 1 1/4" | 1 1/4" | 3/4" | 1 1/4" | 1 1/4" | 1 1/4" | 1 1/4" | 1 1/4" | 3/4" | 1 1/4" | 1 1/4" | 1 1/4" | 1 1/4" | 1 1/4" | 1 1/4" | 1 1/4" |
| T | Bodenmuffe Ground fitting Manchon de fond Manicotto a pavimento |  - mm | - | - | - | - | - | - | - | - | - | - | - | 123 | - | 123 | 110 | 75 | 50 | |
| | | G" | - | - | - | - | - | - | - | - | - | - | - | - | 1 1/4" | - | 1 1/4" | 1 1/4" | 1 1/4" | 1 1/4" |
| O | Anordnung Fühler Positioning sensor Disposition sonde Disposizione sensore | ° | 18.5 | 23.5 | 28.0 | 28.0 | 29.8 | 28.0 | 29.8 | 32.0 | 33.0 | 34.5 | 34.5 | 36.0 | 34.5 | 36.0 | 36.0 | 37.5 | 39.0 | |
| | Gewicht Weight Poids Peso | kg | 55 | 74 | 80 | 92 | 100 | 106 | 112 | 155 | 165 | 170 | 180 | 223 | 198 | 236 | 282 | 361 | 428 | |
| | Art.Nr. 100 mm Part no. Réf. Art.n. | 200103... | 0301 | 0501 | 0601 | 0801 | 0901 | 1001 | 1051 | 1251 | 1501 | 1601 | 1801 | 1951 | 2001 | 2501 | 3001 | 4001 | 5001 | |
| | Art.Nr. 130 mm Part no. Réf. Art.n. | 200103... | 0302 | 0502 | 0602 | 0802 | 0902 | 1002 | 1052 | 1252 | 1502 | 1602 | 1802 | 1952 | 2002 | 2502 | 3002 | 4002 | 5002 | |
| | Art.Nr. 160 mm Part no. Réf. Art.n. | 200103... | 0303 | 0503 | 0603 | 0803 | 0903 | 1003 | 1053 | 1253 | 1503 | 1603 | 1803 | 1953 | 2003 | 2503 | 3003 | 4003 | 5003 | |
| | Max. Einbaulänge von Elektroheizungen Maximum installation length of electric heaters Longueur maximale d'installation des chauffages électriques Lunghezza massima di installazione dei riscaldatori elettrici | mm | 550 | 650 | 700 | 790 | 850 | 790 | 850 | 950 | 1000 | 1100 | 1100 | 1250 | 1100 | 1250 | 1250 | 1400 | 1600 | |
| *Einbaumöglichkeit: 1 x Elektroheizung zum Einschrauben Installation option: 1 x Screw-in Immersion heater Option d'installation: 1 x Résistances à visser Opzione di installazione: 1 x Resistenza elettrica da avvitare | | | | | | | | | | | | | | | | | | | | |